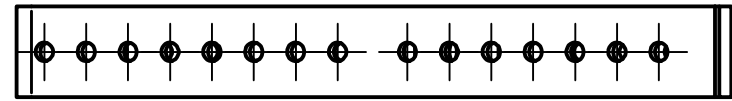
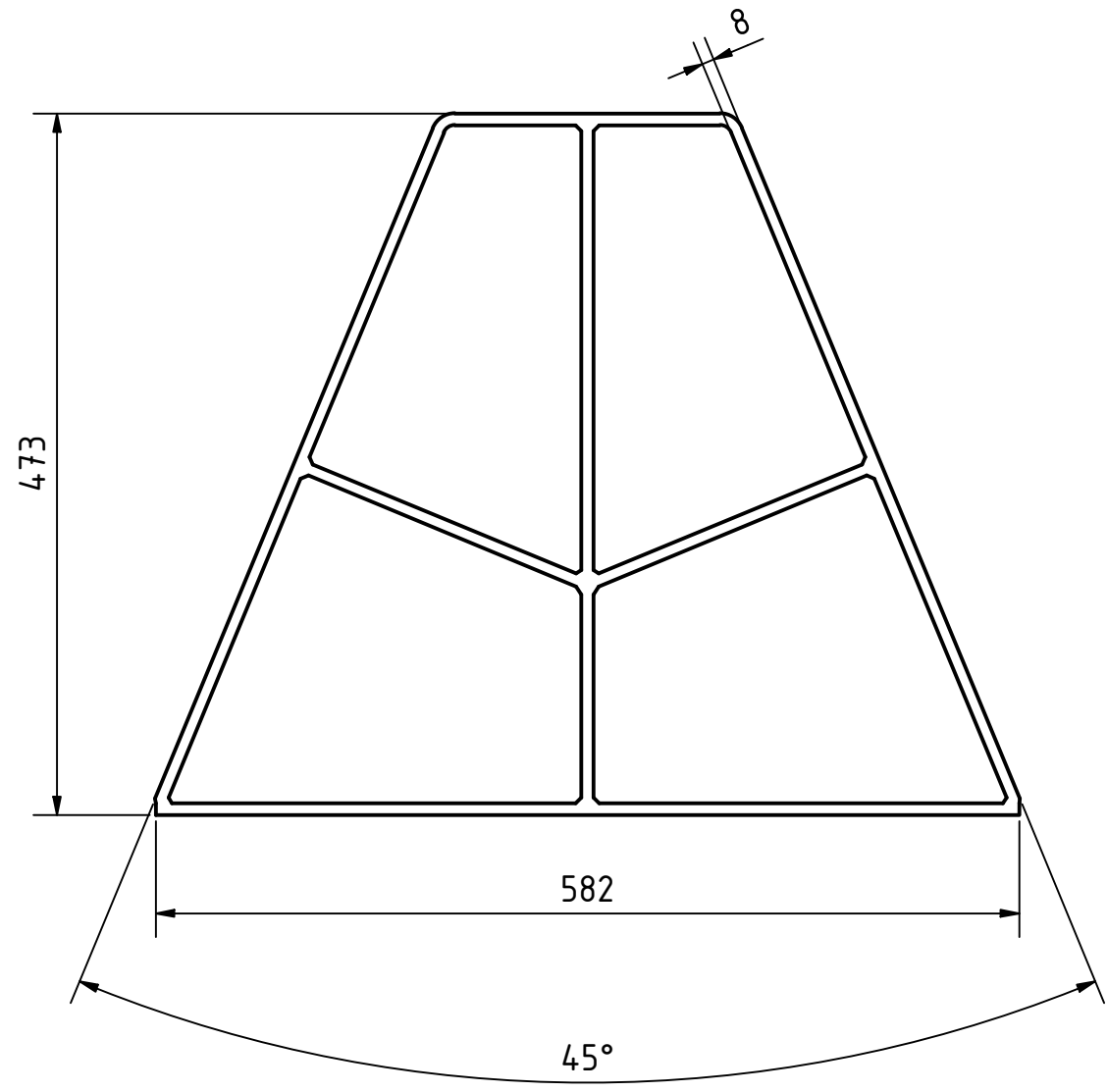


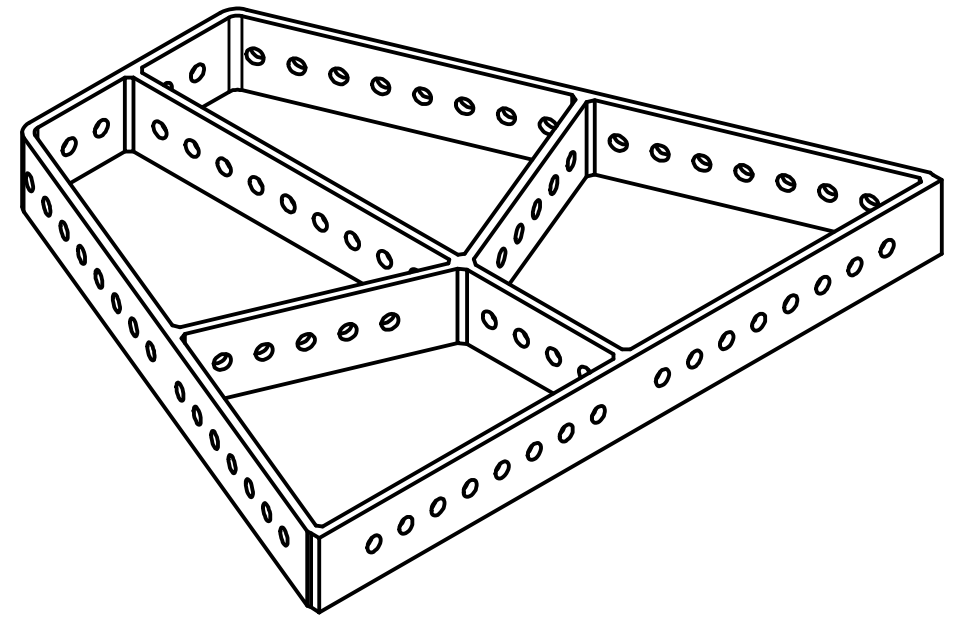
front view



side view



top view



0			13.02.2019	Heike Konrad
rev. no.		description	date	modified by
revision process				
TWAUDIO [®] Osterholzallee 140-2 71636 Ludwigsburg www.twaudio.de	scale:	1:5		
	weight:	9,4 kg		
All rights to this drawing reserved in accordance with ISO 16016. Copying and distribution by manufacturer's permission only.	document type:	overview drawing	order number:	MCT24
	status type:	released	type:	Maincradle T24
general tolerance ISO 2768-mK ISO 13920-BF ISO 9013-IIA/K according to ISO 8015	edges according to ISO 13715	constructed:	date	name
	surfaces (Ra) array 2 array 3 DIN ISO 1302	drawn:	25.11.2009	Stefan Ullrich
		checked:		
		approved:	13.02.2019	Heike Konrad
C:\CAD_TW_AUDIO\CAD-Daten\Zubehor\Rigging-T24\Maincradle.ipt			drawing number:	TWA-MCT24-0001
			revision no.:	0
			sheet:	1 2
				A3